



2.2

HYDRAULIC PILOT REMOTE CONTROL JOYSTICKS

Type : YDVH

Benefits:

- Several ergonomic grips with various E contacts
- Hydraulic proportional output
- Low hysteresis, high precision



Contents

	Page
Features	03
Section view	04
Fuction symbol	04
Technical data	05
Ordering code	05
Control ranges	06
Unit dimension	07-09

Features

1. Applications



Excavator



Tractor loader backhoes

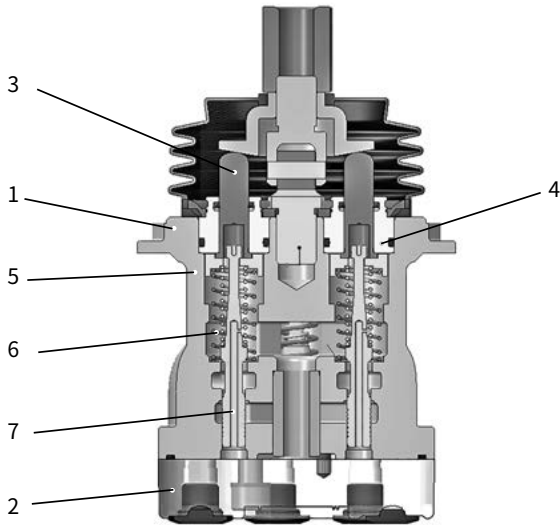


Wheel loaders



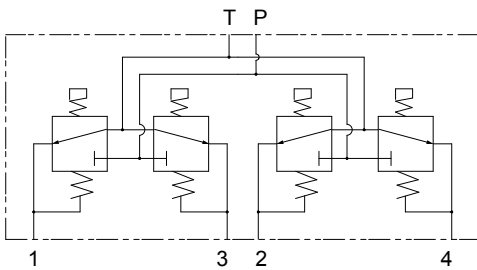
Cranes

Section view

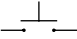


1. Valve body
2. Valve cover
3. Rubber boot
4. Rod seat
5. Spring seat
6. Spring
7. Spool

Function symbol

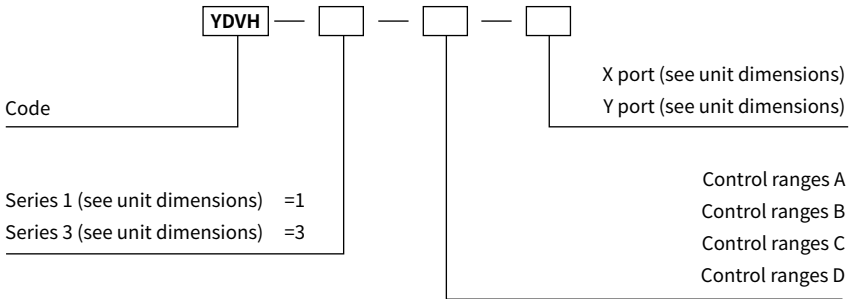


Technical data

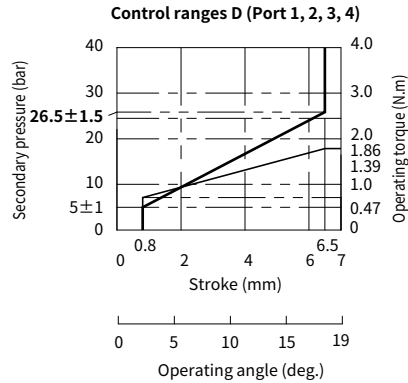
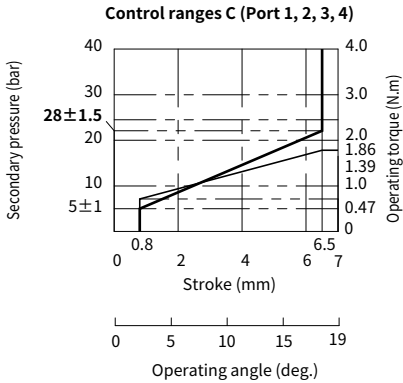
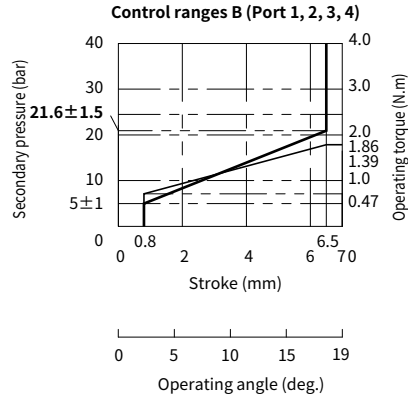
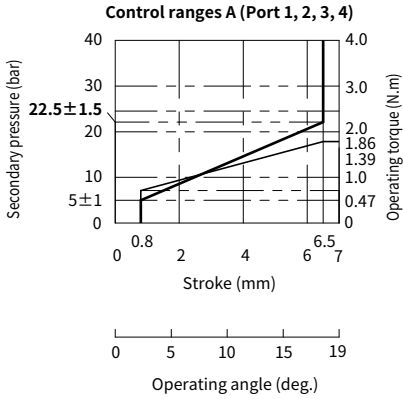
Working medium	Hydraulic oil
Pressure fluid temperature range	-20°C ~+90°C
Viscosity range	10~380 cSt
Inlet pressure	60bar
Back pressure at port T	≤ 3bar
Pilot oil flow	≤ 20L/min
Switch Type	
The specified electricity is loaded	Voltage: 12~30 VDC Current: 100~3000 mA

02

Ordering code

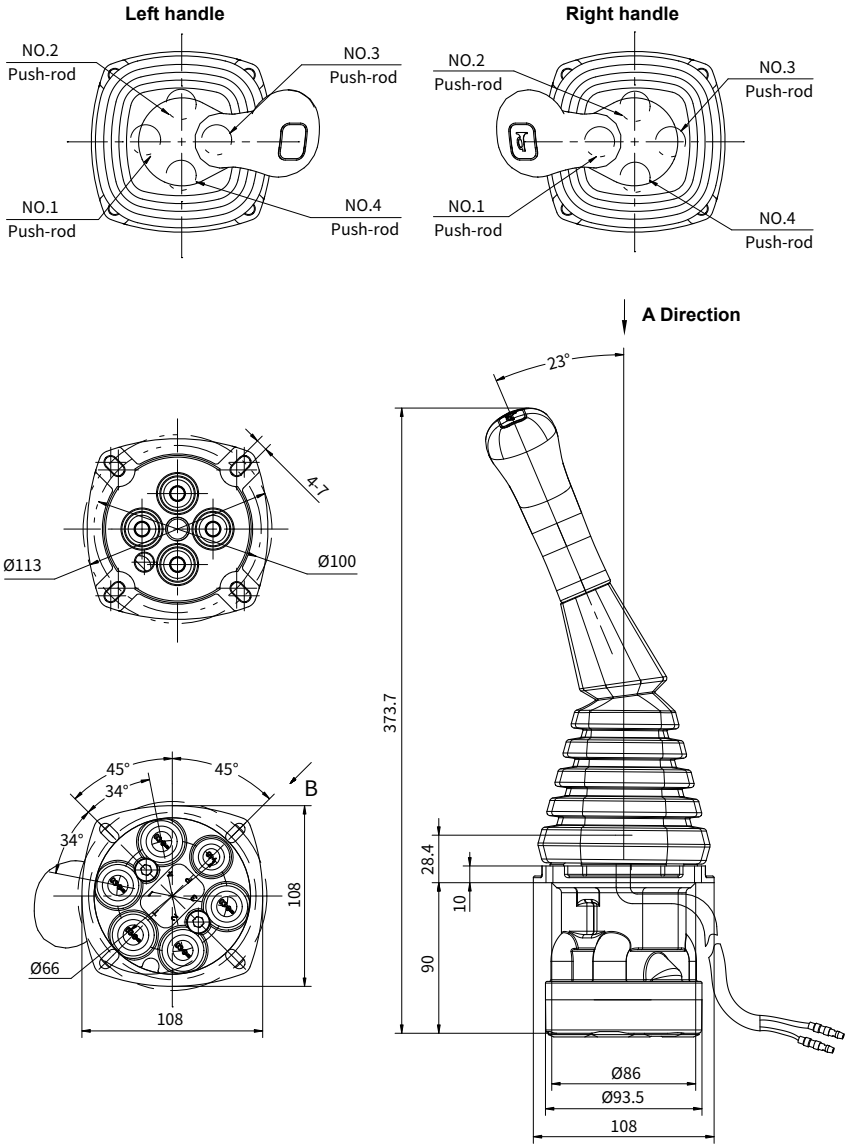


Control ranges



Unit dimensions

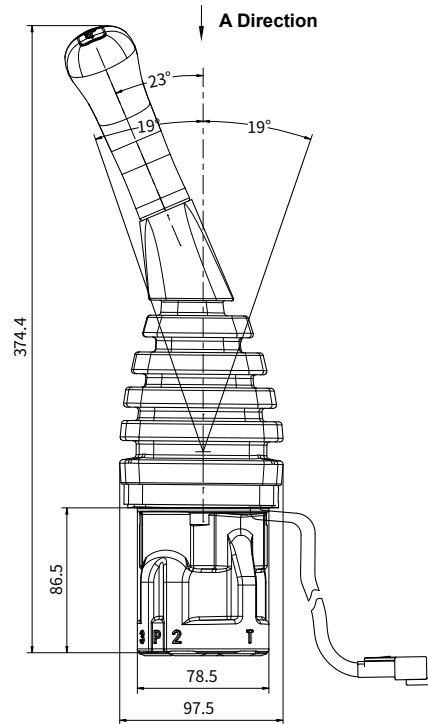
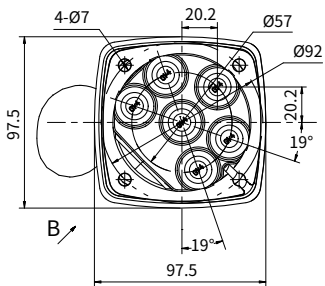
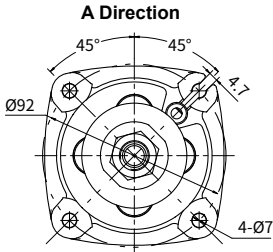
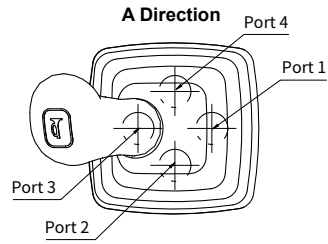
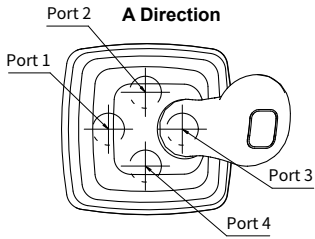
· YDVH1



02

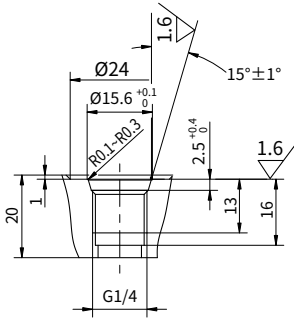
Unit dimensions

· YDVH3



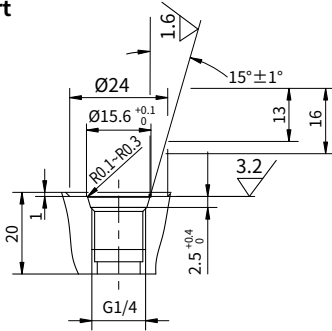
Unit dimensions

• X port

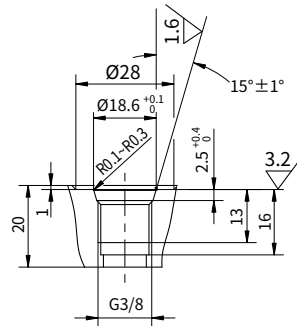


Port: P, 1, 2, 3, 4, T

• Y port



Port: P



Port: 1, 2, 3, 4, T

China

+86 400 101 8889

America

+01 630 995 3674

Germany

+49 (30) 72088-0

Japan

+81 03 6809 1696



© This brochure can be reproduced, edited, reproduced or transmitted electronically without the authorization of Hengli Hydraulic Company. Due to the continuous development of the product, the information in this brochure is not specific to the specific conditions or applicability of the industry, thus, Hengli does not take any responsibility for any incomplete or inaccurate description.