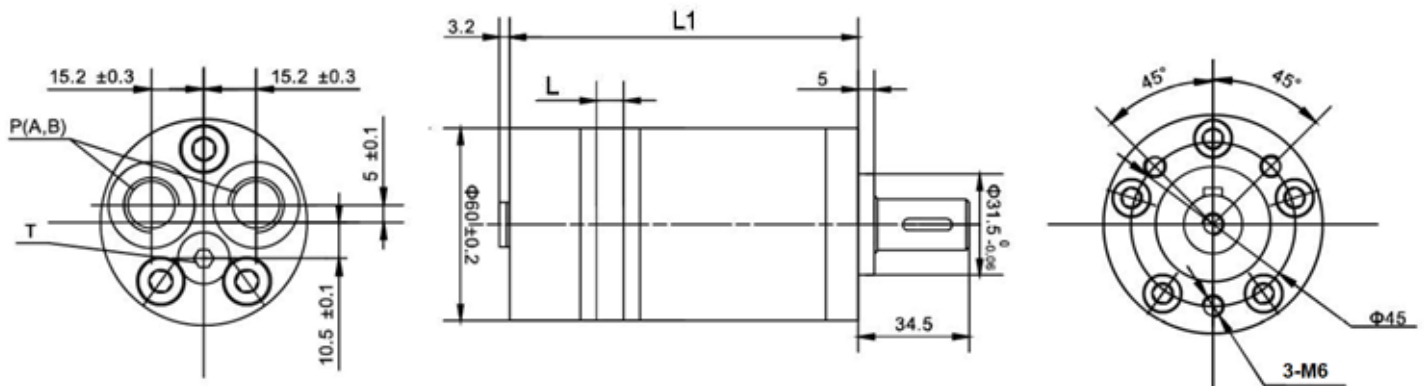


Моторы героторные серии AWD-MM



Фланец: под 3 крепежных отверстия М6, расположенных на $\varnothing 45$, посадочный $\varnothing 31,5$.

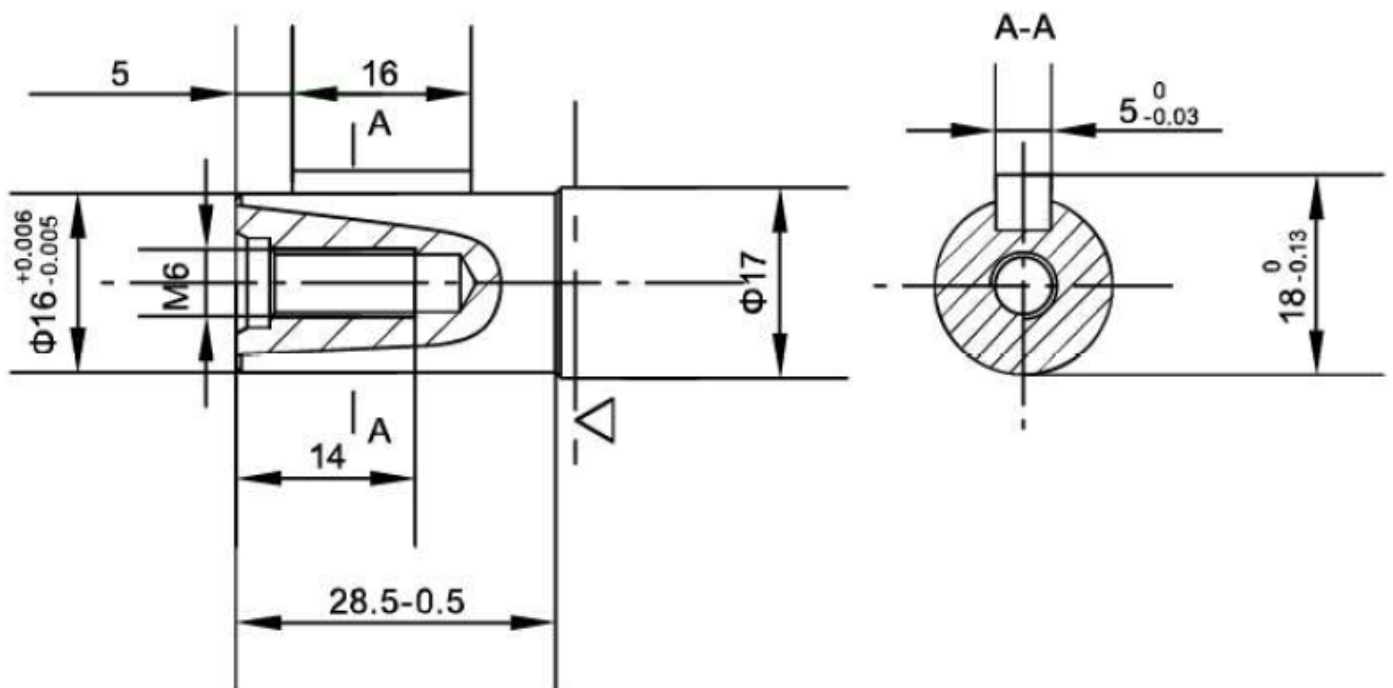


Размеры в зависимости от типоразмера:

Model	L	L1
AWD-MM 8	104	3.5
AWD-MM 12.5	106	5.5
AWD-MM 20	109	8.5
AWD-MM 32	114	13.5
AWD-MM 40	117.5	17
AWD-MM 50	122	21.5

Основные порты и порт дренажа: G3/8, дренажное отверстие G1/8.

Вал: $\varnothing 16$, шпонка 5×5×16



Характеристики:

Type		AWD-MM 8	AWD-MM 12.5	AWD-MM 20	AWD-MM 32	AWD-MM 40	AWD-MM 50
Geometric displacement (cm ³ /rev.)		8.2	12.9	19.9	31.6	39.8	50.3
Max. speed (rpm)	cont.	1950	1550	1000	630	500	400
	int.	2450	1940	1250	800	630	500
Max. torque (N•m)	cont.	11	16	25	40	45	46
	int.	15	23	35	57	70	88
	peak	21	33	51	64	82	100
Max. output (kW)	cont.	1.8	2.4	2.4	2.4	2.2	1.8
	int.	2.6	3.2	3.2	3.2	3.2	3.2
Max. pressure drop (MPa)	cont.	10	10	10	10	9	7
	int.	14	14	14	14	14	14
	peak	20	20	20	16	16	16
Max. flow (L/min)	cont.	16	20	20	20	20	20
	int.	20	25	25	25	25	25
Weight (kg)		1.9	2	2.1	2.2	2.3	2.4

Type		Max.inlet pressure
AWD-MM 8-50 (MPa)	cont.	17.5
	int.	22.5

- * Continuous pressure:Max. value of operating motor continuously.
- * Intermittent pressure:Max. value of operating motor in 6 seconds per minute.
- * Peak pressure:Max. value of operating motor in 0.6 second per minute.

Диаграммы:

AWD-MM 8 [8.2 cm³/rev.]

		Pressure (MPa)					
		3.5	5	7	10	12	14
Flow (L/min)	2	3	5	8	10	12	14
	4	228	218	206	156	111	58
	8	3	5	7	11	13	15
	12	474	471	463	426	391	331
	15	3	5	7	11	13	15
Max.cont.	15	1444	1426	1402	1360	1324	1288
	20		4	7	10	12	14
Max.int.	20			6	10	11	14
	25			2395	2350	2328	2281

AWD-MM 12.5 [12.9 cm³/rev.]

		Pressure (MPa)					
		3.5	5	7	10	12	14
Flow (L/min)	2	6	8	11	16	19	
	4	140	136	119	68	35	
	8	6	8	12	17	19	23
	12	296	289	274	229	200	145
	15	5	8	12	17	20	24
Max.cont.	15	605	596	583	543	514	469
	20	5	8	11	16	20	24
Max.int.	20	5	7	11	16	19	23
	25	1152	1144	1136	1102	1078	1036
	20	3	7	10	15	19	22
	25	1542	1532	1521	1500	1482	1437
	25	2	6	9	14	18	22
	25	1910	1891	1878	1848	1828	1788

AWD-MM 20 [19.9 cm³/rev.]

		Pressure (MPa)						
		1.7	3.5	5	7	10	12	14
Flow (L/min)	2	3	9	14	19	26	30	
	4	99	96	89	74	42	21	
	8	4	9	14	19	26	31	36
	12	197	191	182	178	134	112	74
	15	4	9	13	19	27	31	36
Max.cont.	15	398	395	391	377	340	319	288
	20	3	8	13	18	26	31	37
Max.int.	20	3	8	12	17	25	30	36
	25	745	741	738	728	695	684	660
	20	1	6	11	19	24	29	35
	25	998	995	991	985	962	916	885
	25		4	9	14	23	28	33
	25		1247	1245	1242	1189	1180	1176

AWD-MM 32 [31.6 cc/rev.]

		Pressure (MPa)						
		2	3.5	5	7	10	12	14
Flow (L/min)	2	7	15	21	28	40		
	4	61	57	52	47	16		
	8	7	15	21	29	41	48	57
	12	126	121	114	106	82	67	49
	15	7	15	21	29	41	49	58
Max.cont.	15	250	244	239	231	207	194	167
	20	6	13	20	28	40	48	58
Max.int.	20	4	12	18	27	39	47	57
	25	378	374	369	362	338	322	297
	20	3	10	17	25	37	46	55
	25	476	472	468	462	441	429	406
	25	1	8	15	23	35	43	52
	25	633	630	627	619	601	585	566
	25	791	789	787	783	766	753	732

AWD-MM 40 [39.8 cm³/rev.]

		Pressure (MPa)					
		3	5	7	8.5	10	12
Flow (L/min)	2	16	27	36	44	51	
	4	45	40	34	28	17	
	8	16	27	37	44	52	62
	12	96	93	85	79	65	52
	15	15	26	36	44	52	63
Max.cont.	15	197	195	182	176	166	154
	20	14	25	35	43	51	62
Max.int.	20	13	24	34	42	50	62
	25	293	287	282	277	268	257
	20	10	21	31	39	48	59
	25	371	365	360	355	347	338
	25	7	19	29	37	44	56
	25	497	492	487	480	472	463
	25	622	617	612	607	600	591

AWD-MM 50 [50.3 cm³/rev.]

		Pressure (MPa)				
		1.5	3	5	7	10
Flow (L/min)	2	11	23	36	50	
	4	37	33	27	22	
	8	11	22	36	50	70
	12	76	73	68	63	55
	15	11	21	35	50	71
Max.cont.	15	157	154	149	145	137
	20	11	20	33	49	71
Max.int.	20	237	234	231	226	218
	25	10	18	32	47	69
	20	8	14	29	44	64
	25	296	295	294	288	282
	25	4	10	25	40	59
	25	395	395	393	390	381
	25	498	496	494	490	484

cont.
int.

Torque (N•m) 37
Speed (rpm) 607