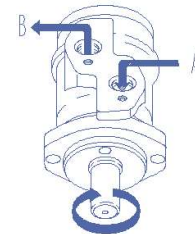
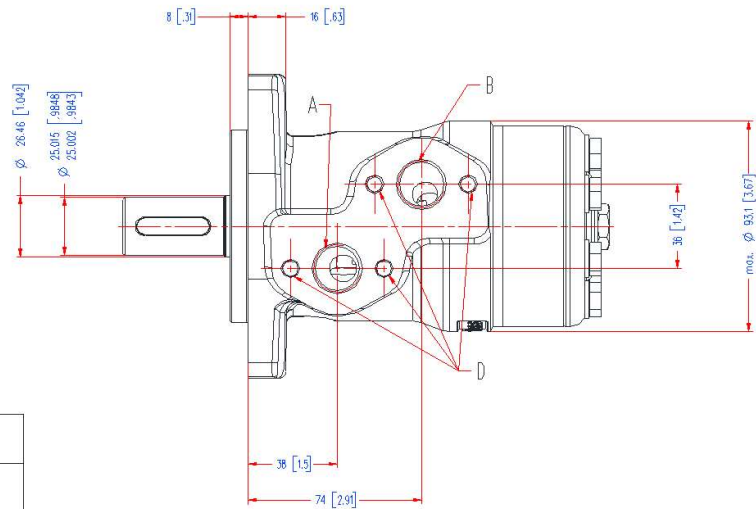


Code Number	CCM	*L max mm./inch
11185769	25	130.8 [5.15]
11185775	32	131.9 [5.2]
11186719	40	133.2 [5.25]
11185771	50	133.2 [5.25]
11186699	60	134.6 [5.3]
11186721	80	137.1 [5.4]
11186725	100	139.7 [5.5]
11185743	125	143.4 [5.65]
11186705	160	147.5 [5.81]
11186708	200	152.7 [6.02]
11186711	250	159.2 [6.27]
11186712	315	167.6 [6.6]
11186714	400	178.7 [7.04]



Port connections: A, B	G1/2; min 15 [59] deep
Drain connection: C (Plugged with steel plug)	G1/4; 11.5 [45] deep
Threaded connection holes: D	M8; 13 [51] deep
Painting	Not painted

Tolerance for basic dimensions = ± 1mm (0,04 inch)



	DATE	REV	REV	MOTOR-ORBITAL
	ENGINEER		APPROVED	
	REV	REV	REV	DESCRIPTION
	DATE	DATE	DATE	
<small>Confidential: Property of Danfoss (Norborg) A/S, Denmark. Not to be copied, reproduced or used by third party. Two - or three dimensional reproduction of contents to be authorized by Danfoss (Norborg) A/S. Danfoss (Norborg) A/S can accept no responsibility for possible errors or omissions. Danfoss (Norborg) A/S reserves the right to alter products already on order as provided that such alterations can be made without subsequent changes being necessary in specifications already agreed.</small>				DOCUMENT NUMBER
				ED073608