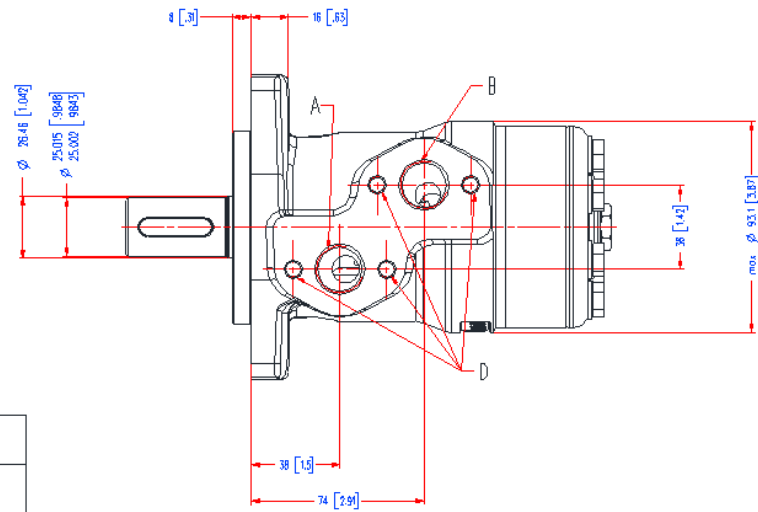
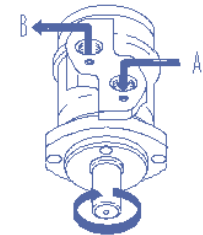


Code Number	CCM	*L <sub>max</sub> mm./inch
11185769	25	130.8 [5.15]
11185775	32	131.9 [5.2]
11186719	40	133.2 [5.25]
11185771	50	133.2 [5.25]
11186699	60	134.6 [5.3]
11186721	80	137.1 [5.4]
11186725	100	139.7 [5.5]
11185743	125	143.4 [5.65]
11186705	160	147.5 [5.81]
11186708	200	152.7 [6.02]
11186711	250	159.2 [6.27]
11186712	315	167.6 [6.6]
11186714	400	178.7 [7.04]



Port connections: A, B	G1/2, min 15 [59] deep
Drain connection: C (Plugged with steel plug)	G1/4; 11.5[45] deep
Threaded connection holes: D	M8; 13[51] deep
Painting	Not painted



Tolerance for basic dimensions = ± 0.1mm (0.04 inch)

Danfoss		OR		MOTOR-ORBITAL
		OR1P	OR2P	
	25	31		OMP X
	OR1P	OR2P	OR2P	
<small>Coordinates: Property of Danfoss (Denmark) A/S. Danfoss, not be used for any other purpose. Danfoss (Denmark) A/S reserves the right to alter products without notice or without the prior written consent of Danfoss (Denmark) A/S. Danfoss (Denmark) A/S can accept no responsibility for errors or omissions. Danfoss (Denmark) A/S reserves the right to alter products without notice or without the prior written consent of Danfoss (Denmark) A/S.</small>				ED073608