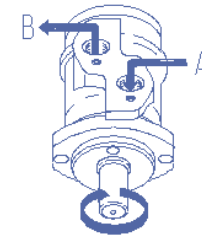
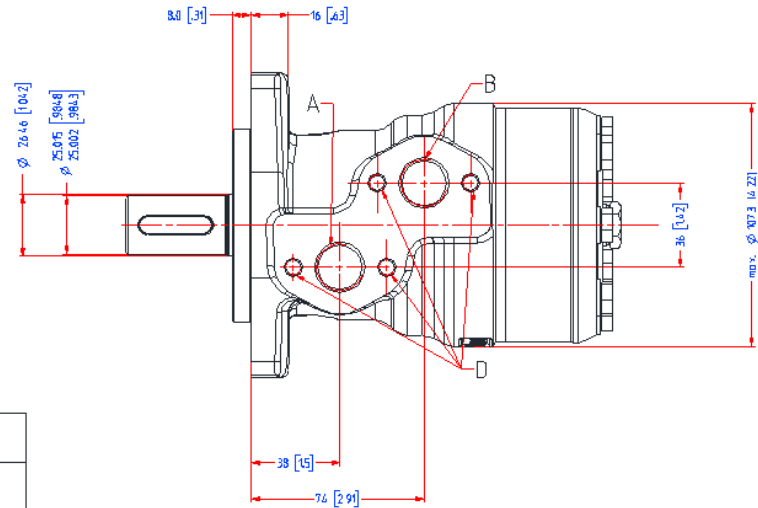


Code Number	CCM	*L _{max} mm./inch
11185537	50	137,8 [5,43]
11186671	80	142,8 [5,63]
11186674	100	142,8 [5,63]
11186655	125	146,2 [5,76]
11186658	160	150,6 [5,93]
11186665	200	156,6 [6,17]
11186667	250	163,6 [6,45]
11186652	315	172,3 [6,79]
11185531	375	179,8 [7,08]

Port connections: A, B	G1/2; min 15 [1.59] deep
Drain connection: C (Plugged with steel plug)	G1/4; 12,471 deep
Threaded connection holes D	M8; 13,511 deep
Painting	Not painted



Tolerance for basic dimensions = ±1mm (0.04 inch)

	DRIVE	BR	MC	MOTOR-CRIBAL
	REVISION	REV. DESCRIPTION		
	SCALE 1:1	DR	DRIVE	DIMR X
	DATE 1 0 1	DESIGN	DESCRIPTION	
<small>Confidential Property of Danfoss (Herzog) A/S, Denmark. Not to be handled, copied or used by third parties. For - or - other dimensional requirements or contents to be used, contact Danfoss (Herzog) A/S. Danfoss (Herzog) A/S reserves the right to alter products without notice or provided that such alterations can be made without subsequent changes being necessary in specifications already agreed.</small>				PART NUMBER ED073630